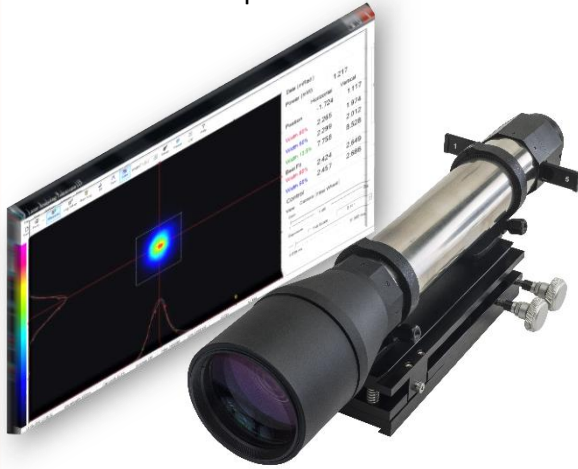


# Laser Analyzing Telescope

Innovative Optical Laser Measurement Telescope for Angular Analysis



- Analyzes angular directions and collimation of light beams and lasers
- Versatile - Measures Profile, Power and Angular Position
- Complete test station with built-in Filter Slider
- Extremely accurate
- Built-in Pan\Tilt Mechanics
- Excellent for boresighting between several parallax lasers

## Specifications

<b>Laser Type</b>	CW & Pulsed
<b>FoV Telescope &amp; Beam Profiler</b>	20 mrad (H), 12 mrad (V)
<b>Clear Aperture</b>	100 mm
<b>Beam Divergence Measurements</b>	Down to 0.1 mRad or better
<b>Min. Focusing Distance</b>	Focused at Infinity
<b>Built in coarse aiming Laser Pointer</b>	638 nm power <1.0 mW Class 2 laser product, IEC60825-1
<b>Beam width resolution</b>	Better than 1 $\mu$ rad
<b>Spectral Response</b>	350 - 1150 nm (350-1600 nm available as a special order)
<b>Resolution (H x V pixels)</b>	1920 x 1200
<b>Gain Control</b>	x24
<b>Dynamic Range</b>	60 dB , 12 bit
<b>Exposure Speed</b>	39 $\mu$ sec to 20 sec
<b>Frame Rate</b>	40 fps (8 bit) 30 fps (12 bit)

<b>Beam divergence accuracy</b>	$\pm 2\%$
<b>Position resolution of laser beam</b>	Better than 1.5 $\mu$ rad
<b>Pixel Size</b>	5.86 $\mu$ m x 5.86 $\mu$ m
<b>Pixel Bit Depth</b>	8/12 bits
<b>Background Subtraction</b>	User activated
<b>Trigger</b>	<ul style="list-style-type: none"> <li>• Internal Software</li> <li>• Hardware Falling or Rising Edge</li> <li>• Trigger Delay 0.015ms - 4.0 sec</li> </ul>
<b>Pan &amp; Tilt knobs</b>	Tilt $\pm 2^\circ$ , Pan $\pm 2.5^\circ$
<b>Power Requirements</b>	$\sim 2$ Watt (Via USB 3.0 interface)
<b>Dimensions (L x W x H) in mm</b>	x 172 x 197156
<b>Weight (typical)</b>	6.5 kg including cable
<b>Min. Hardware Requirements</b>	CPU i3 1.6 GHz, 4 GB RAM Min. Resolution 1366 x 766
<b>Interface</b>	USB 3.0, Windows 7/8/10 (32 & 64 bit)
<b>Operating Temperature</b>	0 $^\circ$ – 35 $^\circ$ C

## Ordering Information

**Model LAT-U3:** A camera for 350 – 1600 nm with built-in filter slider, USB 3.0 cable, application software on CD/Flash Card, carrying case.

**DUMA OPTRONICS LTD.**

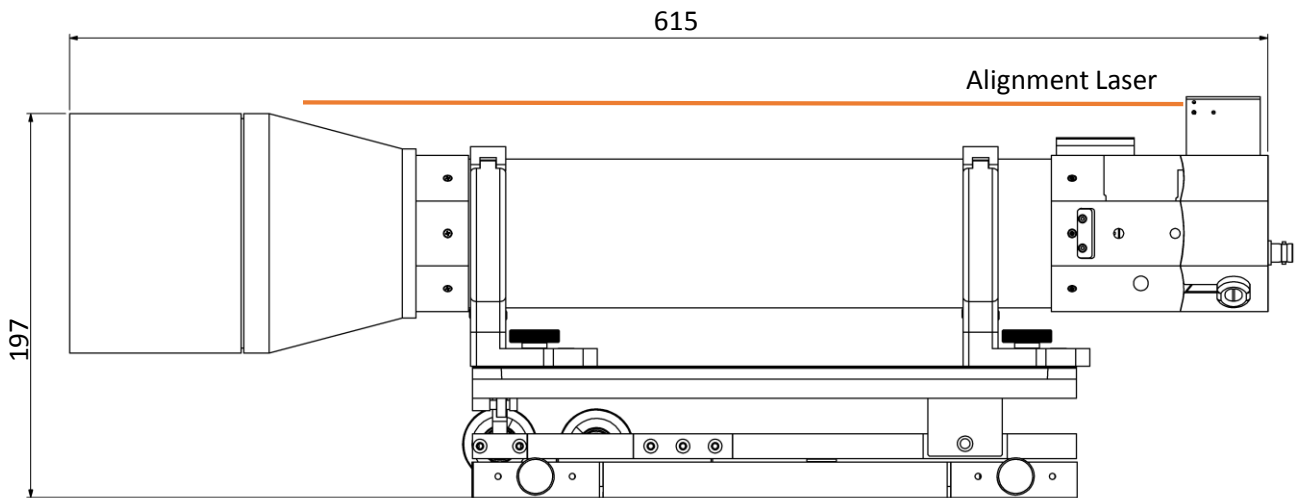
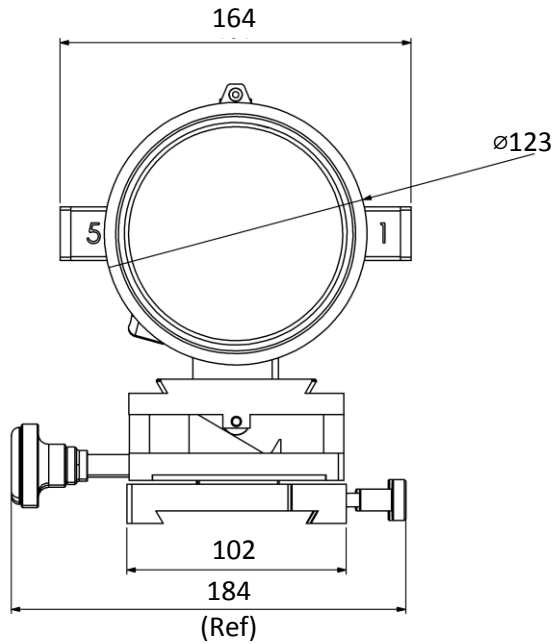
Website: <http://www.dumaoptronics.com>

E-mail: [sales@duma.co.il](mailto:sales@duma.co.il)

January 2020

# Laser Analyzing Telescope

Innovative Optical Laser Measurement Telescope for Angular Analysis



Dimensions are in mm.

**DUMA OPTRONICS LTD.**

Website: <http://www.dumaoptronics.com>

E-mail: [sales@duma.co.il](mailto:sales@duma.co.il)

January 2020

