

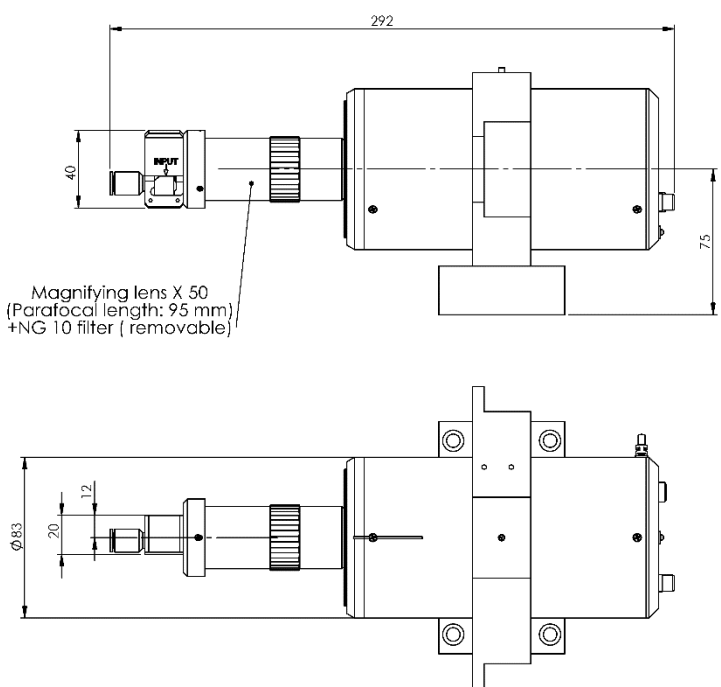
μBeam High Power



- Measures high power microscopic beams down to 2 microns
- Built-in sampler and pressurized air cooling
- Advanced optics enabling zooming up to x25
- Resolution down to 1 nanometer

Specifications

Sensor Type	CCD 1/4" format, with 470,000 pixels
Spectral Range	350 - 1310 nm
Magnification	Infinite conjugate objectives: x10, x20, user selectable. Special Order: x50
Beam Size & Power level	10 μm – 0.3 mm. Beam < 10 μm: up to 100 Watts. Beam > 10 μm: gradually up to 1.5 kWatts
Beam finding feature	For fast beam finding the system is equipped with a zooming lens for observing large areas
Attenuation	Built in ND filters & High Power air-cooled Beam Sampler
Configuration	Tube type zooming microscope equipped with M6 mounting thread adaptor
Dimensions	292 mm (L) x 83 mm diameter
Weight	2.7 Kg
Maximum frame rate	25 Hz (CW lasers)
Interface	USB 2.0, windows 7/8/10 (32 & 64 bit)
Min. Hardware Requirements	CPU i3 1.6 GHz, 4 GB RAM Min. Resolution 1366 x 766



Objective Type	X 10	X 20	X 50 (Special Order)
Ordering information	μBeamHP-X10	μBeamHP-X20	μBeamHP-X50
Min. Beam Size	20 microns	10 microns	2 microns
Max. Power (@min. beam size)	Up to 1.5 kWatts	Up to 500 Watts	Up to 100 Watts

DUMA OPTRONICS LTD.

