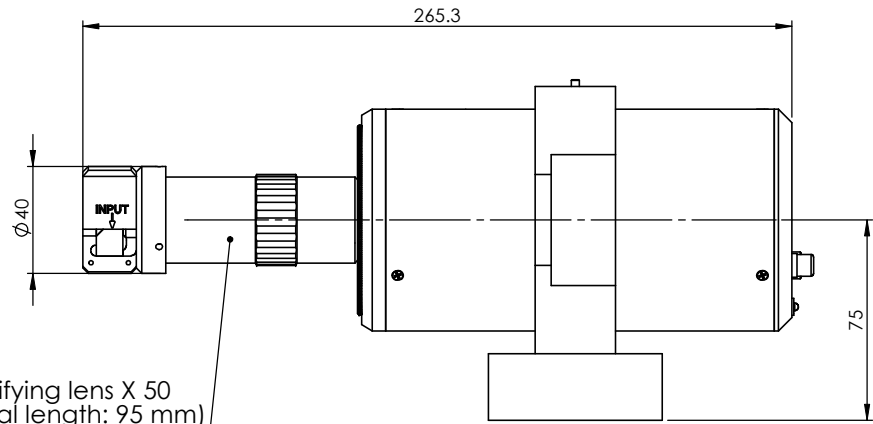
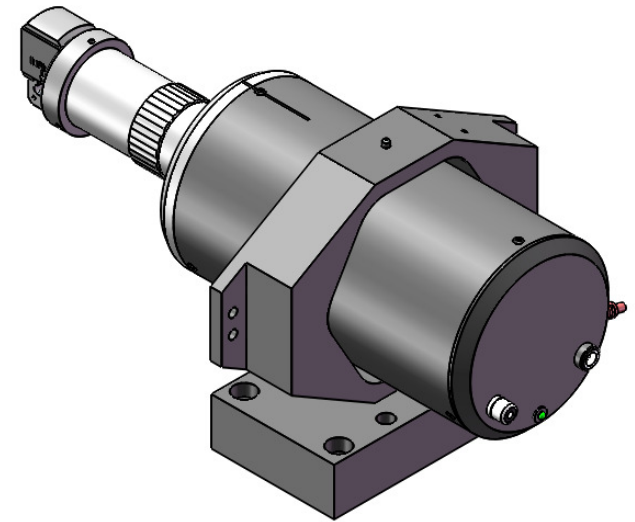
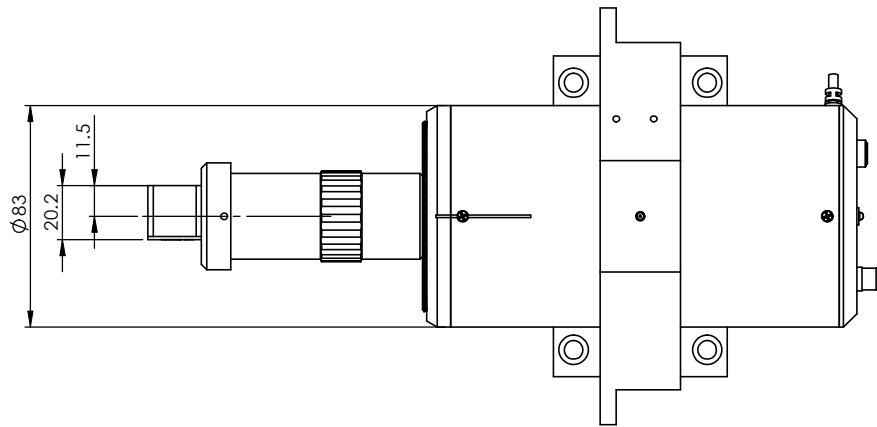


Information only, not for manufacture



Magnifying lens X 50
(Parafocal length: 95 mm)
+NG 10 filter (removable)



Tolerances:
Unless otherwise
specified:

Linear: ± 0.1
Angular: ± 0.1

Do not scale drawing

DIMENSIONS IN MILLIMETERS (mm) scale 1:2



TITLE:
μBeam +SAM 3

DWG NO. MB_C_02

	NAME	SIGNATURE	DATE
DRAWN	Yair		21.6.2012
CHKD	Oren		21.6.2012
APPVD	Judith		21.6.2012